



ELECTRIC REACH TRUCK (SEATED)

MFZ Series is our new reach truck, with 1600kg-3000kg load capacity whose mast can move forward and backward. This truck has compact body and small turning radius, which is suitable for medium storage density, high turn-over rate, very narrow aisle stacking and single/double sided pallet with forged forks.



REDUCING COST BY USING REACH TRUCK

When you use MFZ seated reach truck, you will enjoy many advantages for technology and ergonomics, including innovative pre-selection height technology, it can improve storage efficiency and accuracy. In the long run, you can save lots of operating costs.



Flexible EPS steering



3-pivot design, with better stacking stability



Excellent mast loading performance and wide vision mast



New LED display

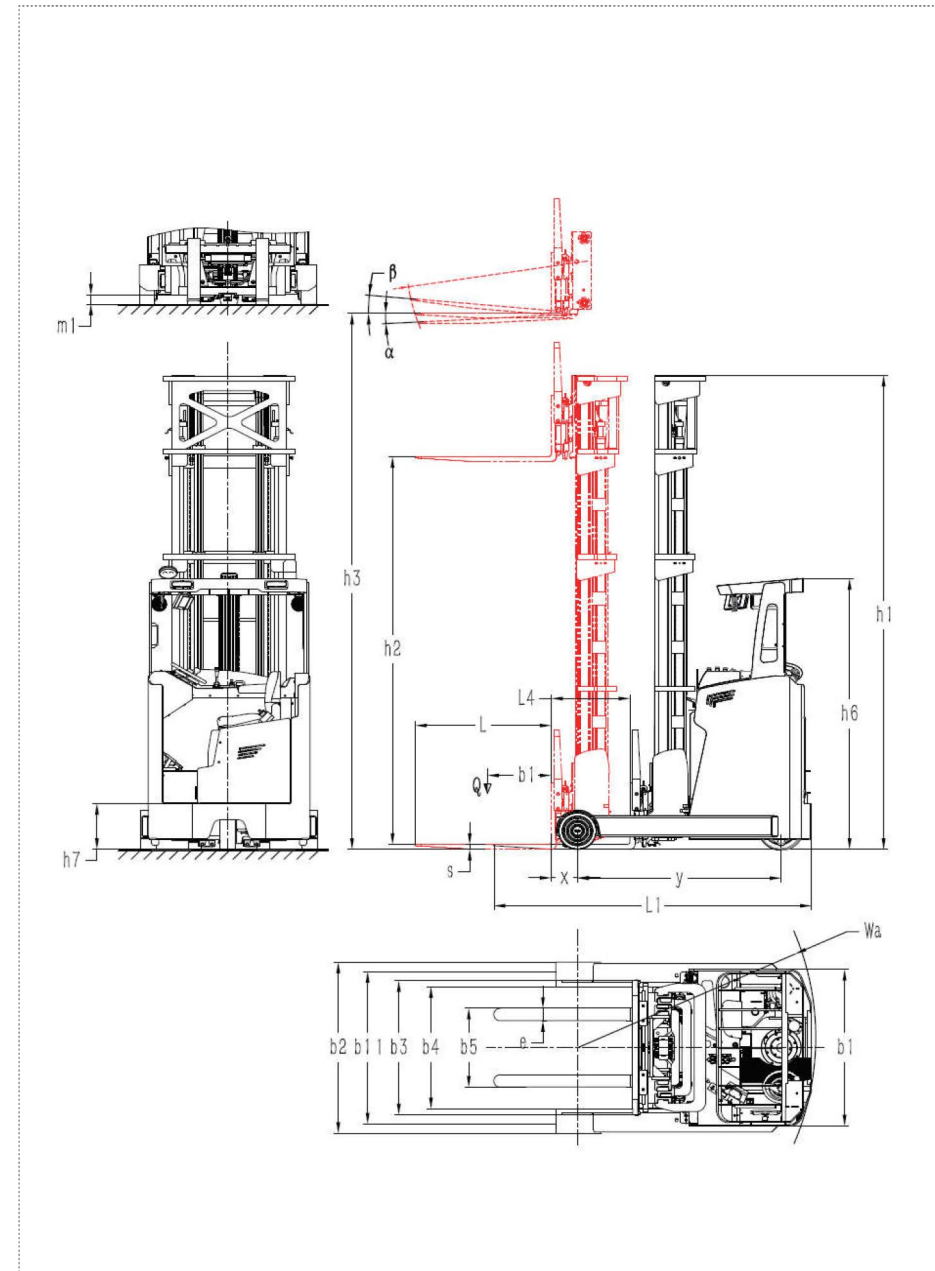


Ergonomic suspension seat

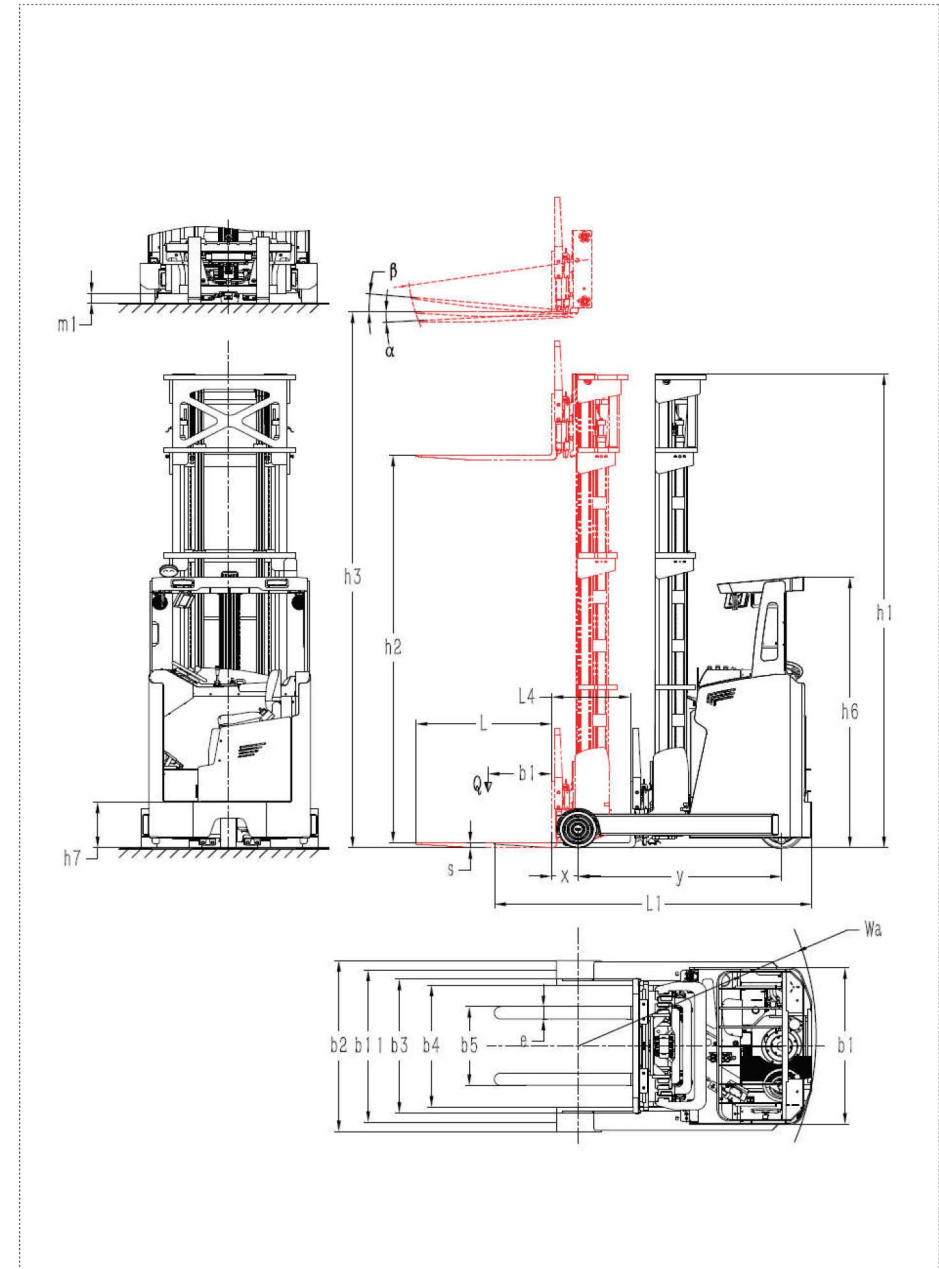


Pre selection height system (optional)

Standard			
1.1			
1.2	Model	MFZ16 (Standard Mast)	MFZ16 (High-Performance Mast)
1.3	Power type	Battery	Battery
1.4	Operation type	Seated	Seated
1.5	Rated capacity	Q (kg)	1600
1.6	Load center	C(mm)	500
1.7	Front overhang	x (mm)	205
1.8	Wheelbase	y (mm)	1425
Weight			
2.1	Service weight(incl. battery)	kg	3710
3710			4530
Wheel			
3.1	Wheel type	PU	PU
3.2	Load wheel	mm	φ300×120
3.3	Drive wheel	mm	φ343×108
3.4	Auxiliary wheel	mm	/
3.5	Number of wheels, front/rear(x:drive wheel)		2/1X
3.6	Wheel tread, drive side	b10(mm)	/
3.7	Wheel tread, load side	b11(mm)	1170
1270			
Size			
4.1	Fork tilting	α/β(°)	3/5
4.2	Mast closed height	h1(mm)	3322
4.3	Free lift height	h2(mm)	2712
4.4	Lift height	h3(mm)	7500
4.5	Mast extended height with load-backrest	h4(mm)	8430
4.6	Overhead guard height	h6(mm)	2200
4.7	Stand board height	h7(mm)	376
4.8	Overall length	l1(mm)	2340
2496			
4.9	Overall width	b1/b2(mm)	1270/1290
1270/1390			
4.10	Fork size	l/e/s(mm)	1070×100×35
1070X122X40			
4.11	Fork carriage width	b3(mm)	1090
4.12	Fork outside width	b5(mm)	222-750
266-725			
4.13	Inner leg width	b4(mm)	890
4.14	Reach stroke	l4(mm)	583
617			
4.15	Mast ground clearance	m1(mm)	75
75			
4.16	Aisle width for pallet 1000*1200mm(C=500mm)	Ast(mm)	2764
2912			
4.17	Aisle width for pallet 800*1200mm(C=600mm)	Ast(mm)	2814
2956			
4.18	Turning radius	Wa(mm)	1700
1872			
Function			
5.1	Driving speed(load/unload)	km/h	14/14
14/14			
5.2	Lifting speed(load/unload)	mm/s	280/380
340/440			
5.3	Lowering speed(load/unload)	mm/s	380/340
420/360			
5.4	Max. gradeability(load/unload)(S2-5min)	%(tanθ)	≤10
≤10			
5.5	Brake type		Mechanical
Mechanical			
Drive			
6.1	Driving motor(S2-60min)	kw	5.5
6.5			
6.2	Lifting motor(S3-15%)	kw	8.6
12.8			
6.3	Battery voltage/capacity	V/Ah	48/420
48/420			
6.4	Option: lithium battery voltage/capacity	V/Ah	48/300
48/300			
6.5	Battery weight	kg	715
715			
6.6	Steering system		EPS
EPS			
Other			
7.1	Battery replacement type		Front pull
Front pull			



Standard			
1.1			
1.2	Model	MFZ20 (Standard Mast)	MFZ20 (High-Performance Mast)
1.3	Power type	Battery	Battery
1.4	Operation type	Seated	Seated
1.5	Rated capacity	Q(kg)	2000
1.6	Load center	C(mm)	500
1.7	Front overhang	x(mm)	205
1.8	Wheelbase	y(mm)	1525
Weight			
2.1	Service weight (incl. battery)	kg	4000
			4670
Wheel			
3.1	Wheel type	PU	PU
3.2	Load wheel	mm	φ300×120
3.3	Drive wheel	mm	φ350×120
3.4	Auxiliary wheel	mm	/
3.5	Number of wheels, front/rear(x=drive wheel)		2/1X
3.6	Wheel tread, drive side	b10(mm)	/
3.7	Wheel tread, load side	b11(mm)	1170
			1270
Size			
4.1	Fork tilting	α/β(°)	3/5
4.2	Mast closed height	h1(mm)	3322
4.3	Free lift height	h2(mm)	2712
4.4	Lift height	h3(mm)	7500
4.5	Mast extended height with load-backrest	h4(mm)	8430
4.6	Overhead guard height	h6(mm)	2200
4.7	Stand board height	h7(mm)	376
4.8	Overall length	l1(mm)	2421
4.9	Overall width	b1/b2(mm)	1270/1290
4.10	Fork size	l/e/(mm)	1070X122X40
4.11	Fork carriage width	b3(mm)	1090
4.12	Fork outside width	b5(mm)	266-772
4.13	Inner leg width	b4(mm)	890
4.14	Reach stroke	l4(mm)	617
4.15	Mast ground clearance	m1(mm)	75
4.16	Aisle width for pallet 1000*1200mm(C=500mm)	Ast(mm)	2838
4.17	Aisle width for pallet 800*1200mm(C=600mm)	Ast(mm)	2882
4.18	Turning radius	Wa(mm)	1798
			1872
Function			
5.1	Driving speed(load/unload)	km/h	14/14
5.2	Lifting speed(load/unload)	mm/s	280/380
5.3	Lowering speed(load/unload)	mm/s	420/360
5.4	Max. gradeability(load/unload)(S2-5min)	%(tanθ)	≤10
5.5	Brake type		Mechanical
Drive			
6.1	Driving motor(S2-60min)	kw	5.5
6.2	Lifting motor(S3-15%)	kw	12.8
6.3	Battery voltage/capacity	V/Ah	48/560
6.4	Option: lithium battery voltage/capacity	V/Ah	48/450
6.5	Battery weight	kg	920
6.6	Steering system		EPS
Other			
7.1	Battery replacement type		Front pull
			Front pull



Triplex full free mast		MFZ16 (Standard Mast)									
Model	MFZ	16-46	16-48	16-54	16-57	16-63	16-67	16-70	16-71	16-75	
Lift height	h3(mm)	4600	4800	5400	5700	6300	6750	7000	7150	7500	
Mast extended height with load-backrest	h4(mm)	5530	5730	6330	6630	7230	7680	7930	8080	8430	
Mast closed height	h1(mm)	2254	2320	2520	2620	2820	3070	3154	3204	3322	
Free lift height	h2(mm)Note[1]	1644	1710	1910	2010	2210	2460	2544	2594	2712	

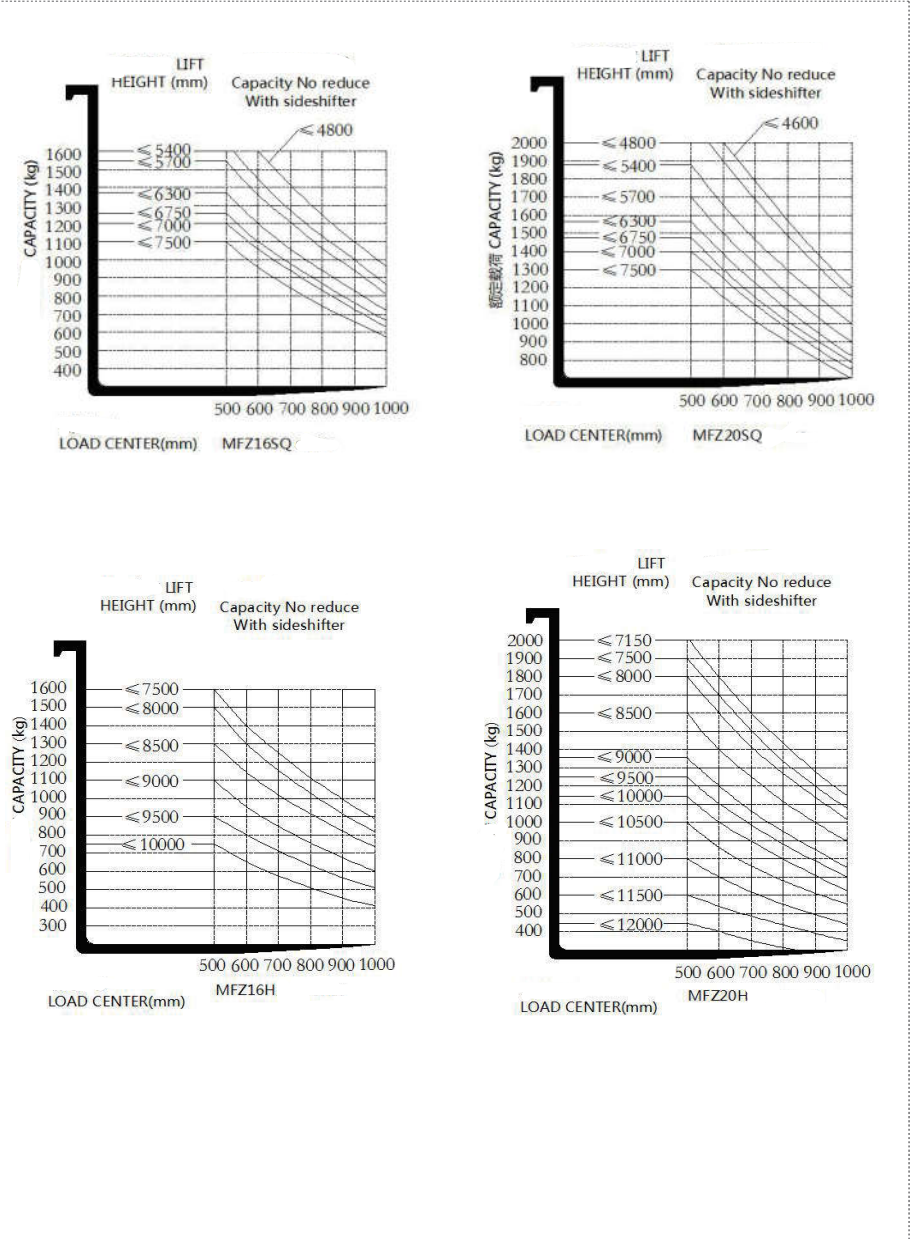
Triplex full free mast		MFZ20 (Standard Mast)									
Model	MFZ	20-46	20-48	20-54	20-57	20-63	20-67	20-70	20-71	20-75	
Lift height	h3(mm)	4600	4800	5400	5700	6300	6750	7000	7150	7500	
Mast extended height with load-backrest	h4(mm)	5530	5730	6330	6630	7230	7680	7930	8080	8430	
Mast closed height	h1(mm)	2254	2320	2520	2620	2820	3070	3154	3204	3322	
Free lift height	h2(mm)Note[1]	1644	1710	1910	2010	2210	2460	2544	2594	2712	

Triplex full free mast		MFZ16/20 (High-Performance Mast)									
Model	MFZ	16-63	16-67	16-70	16-75	16-80	16-85	16-90	16-95	16-100	
Lift height	h3(mm)	6300	6750	7000	7500	8000	8500	9000	9500	10000	
Mast extended height with load-backrest	h4(mm)	7230	7680	7930	8430	8930	9430	9930	10430	10930	
Mast closed height	h1(mm)	2820	3070	3154	3322	3488	3654	3820	3988	4154	
Free lift height	h2(mm)Note[1]	2210	2460	2544	2712	2878	3044	3210	3378	3544	

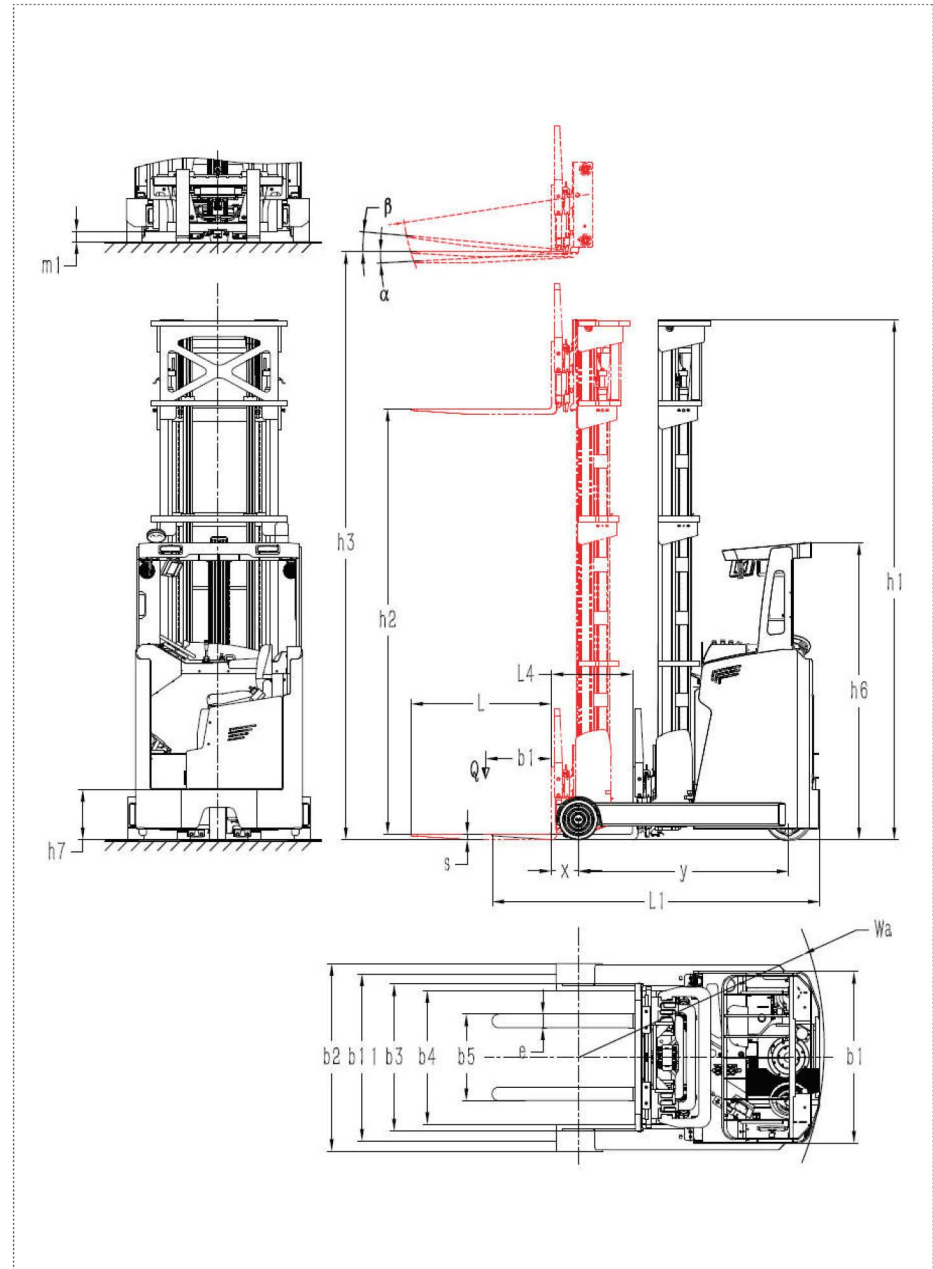
Triplex full free mast		MFZ20 (High-Performance Mast)								
Model	MFZ	20-105	20-110	20-115	20-120					
Lift height	h3(mm)	10500	11000	11500	12000					
Mast extended height with load-backrest	h4(mm)	11430	11930	12430	12930					
Mast closed height	h1(mm)	4320	4488	4654	4820					
Free lift height	h2(mm)Note[1]	3710	3878	4044	4210					

Note[1]:The free lift height does not include load-backrest and needs to be 270mm lower if with standard backrest.

[2]The mast specifications of MFZ16 and MFZ20 are the same within 10 meters lift height



Standard		
1.1		
1.2	Model	MFZ25
1.3	Power type	Battery
1.4	Operation type	Seated
1.5	Rated capacity	Q(kg) 2500
1.6	Load center	C(mm) 600
1.7	Front overhang	x(mm) 221
1.8	Wheelbase	y(mm) 1700
Weight		
2.1	Service weight (incl. battery)	kg 5038
Wheel		
3.1	Wheel type	PU
3.2	Load wheel	mm $\Phi 343 \times 130$
3.3	Drive wheel	mm $\Phi 400 \times 160$
3.4	Auxiliary wheel	mm /
3.5	Number of wheels, front/rear(x=drive wheel)	2/1X
3.6	Wheel tread, drive side	b10(mm) /
3.7	Wheel tread, load side	b11(mm) 1270
Size		
4.1	Fork tilting	$\alpha/\beta(^{\circ})$ 2/4
4.2	Mast closed height	h1(mm) 3829
4.3	Free lift height	h2(mm) 3027
4.4	Lift height	h3(mm) 8500
4.5	Mast extended height with load-backrest	h4(mm) 9562
4.6	Overhead guard height	h6(mm) 2245
4.7	Stand board height	h7(mm) 392
4.8	Overall length	l1(mm) 2532
4.9	Overall width	b1/b2(mm) 1270/1400
4.10	Fork size	l/e/s(mm) 1070 \times 125 \times 45
4.11	Fork carriage width	b3(mm) 1148
4.12	Fork outside width	b5(mm) 250-750
4.13	Inner leg width	b4(mm) 977
4.14	Reach stroke	l4(mm) 715
4.15	Mast ground clearance	m1(mm) 75
4.16	Aisle width for pallet 1000*1200mm(C=500mm)	Ast(mm) 2973
4.17	Aisle width for pallet 800*1200mm(C=600mm)	Ast(mm) 3000
4.18	Turning radius	Wa(mm) 1987
Function		
5.1	Driving speed(load/unload)	km/h 8.5/10
5.2	Lifting speed(load/unload)	mm/s 210/340
5.3	Lowering speed(load/unload)	mm/s 300/250
5.4	Max. gradeability(load/unload)(S2-5min)	%($\tan\theta$) ≤ 10
5.5	Brake type	Electromagnetic
Drive		
6.1	Driving motor(S2-60min)	kw 8
6.2	Lifting motor(S3-15%)	kw 15
6.3	Battery voltage/capacity	V/Ah 48/560
6.4	Battery weight	kg 920
6.5	Steering system	EPS
Other		
7.1	Battery replacement type	Front pull



Triplex full free mast		MFZ25								
Model	MFZ	25-45	25-50	25-55	25-60	25-65	25-70	25-72	25-75	25-80
Lift height	h3(mm)	4500	5000	5500	6000	6500	7000	7200	7500	8000
Mast extended height with load-backrest	h4(mm)	5562	6062	6562	7062	7562	8062	8262	8562	9062
Mast closed height	h1(mm)	2395	2562	2728	2895	3062	3228	3295	3395	3662
Free lift height	h2(mm)Note[1]	1595	1761	1929	2095	2261	2429	2495	2595	2861

Triplex full free mast		MFZ25
Model	MFZ	25-85
Lift height	h3(mm)	8500
Mast extended height with load-backrest	h4(mm)	9562
Mast closed height	h1(mm)	3829
Free lift height	h2(mm)Note[1]	3027

Note[1]:The free lift height does not include load-backrest and needs to be 215mm lower if with standard backrest.

